



KODAK

USB Flash Drive 3.2 K113

Specification





Kodak USB Flash Drive 3.2 K113 is a car mini flash drive with USB 3.2 Gen1 interface for high-speed data transfer,

It can provide a capacity range from 16GB to 128GB. The speed can reach up to UP to 70 MB/s¹ read and UP to 20 MB/s write, providing powerful performance.

Durable metal casing, easy to carry around and without worrying about daily wear and tear.

1. Product specifications

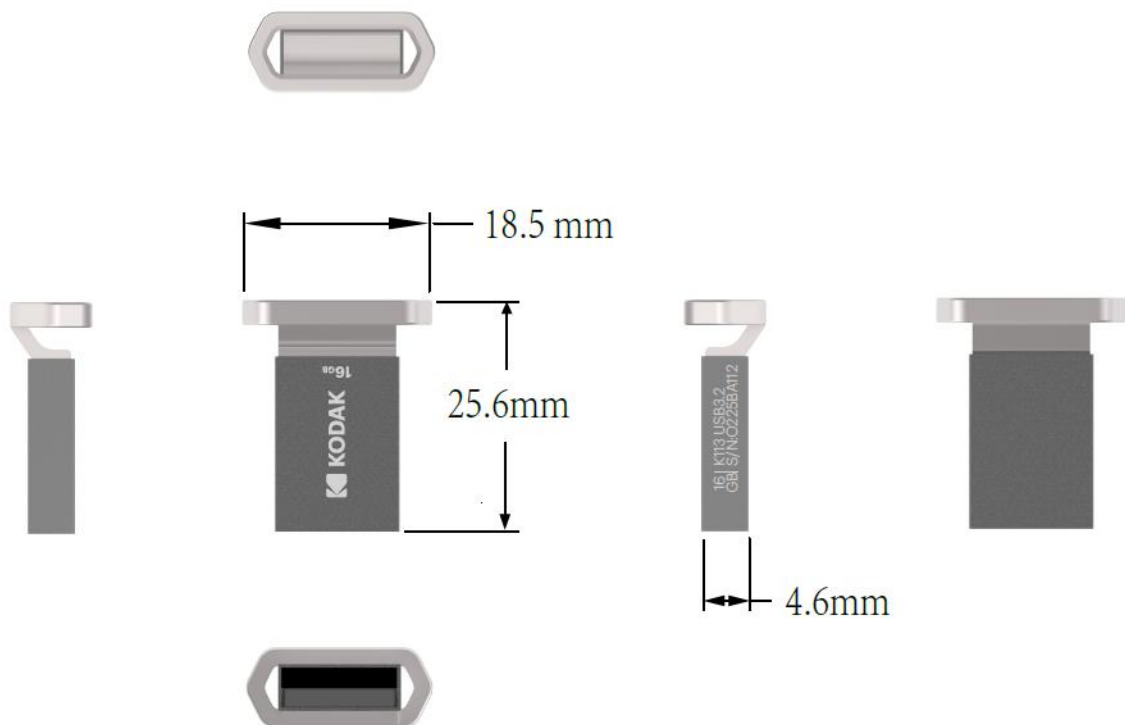
- **Capacity**
 - 16GB, 32GB, 64GB,128GB
- **Size**
 - 25.6x18.5x4.6mm
- **Interface**
 - USB 3.2 GEN 1
- **Operating System compatibility**
 - Support Windows XP and later version
 - Support MAC OS 10.8 and later version
 - Support Linux kernel 2.4.10 and later version
- **Temperature Range**
 - Operation: 0°C ~ 70°C
 - Storage: -25°C ~ 85°C
- **Certification**
 - CE
 - FCC
 - RoHS



2. Product Performance

PN Number	Capacity	Crystal Disk Mark	
		Read (MB/s)	Write (MB/s)
EKMMD16GK113	16GB	70	18
EKMMD32GK113	32GB	70	18
EKMMD64GK113	64GB	70	20
EKMMD128GK113	128GB	70	20

3. Product design rendering





4. Product packaging

